

# ACWS

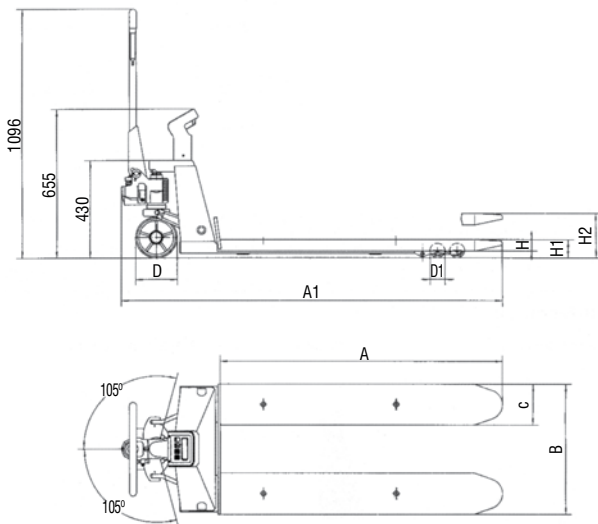
## Weigh Scale Hand Pallet Truck

รถยกกลากพาเลท แบบมีเครื่องชั่งน้ำหนัก

**Lift, transport and weigh at the same time!**

### SUPERIOR FEATURES OF THIS 5TH GENERATION WEIGH SCALE HAND PALLET TRUCK.

- High accuracy with a maximum error rate of 0.1% even with non optimal floor conditions and when the load is placed off centre.
- Multiple Weigh Total function which adds up several separately weighed loads, totals them and display the results together with the number of loads weighed.
- Low power usage enables 4200 weighing actions to be made in automatic sleep mode.
- High contrast display can be read at any angle and even at ambient light conditions.
- Big function keys that “click” when pressed makes work easier for the user especially while wearing gloves.
- All electronic components are designed for mobile use and thus have no connectors or components that can shake loose from shocks or vibration leading to a long product life and low lost of ownership.
- Water and dust proof to IP65 which means that this product can be used in open weather conditions and can be cleaned with water (excluding high pressure jets).
- Conforms to CE (Europe) and FCC (USA) standards.
- Optional printer is energy efficient and resistant to vibrations and shocks.



Model		ACWS 2000N/W	ACWS 2000N/W-P
<b>Specification</b>			
Capacity น้ำหนักบรรทุก	(kg)	2000	
Overall Forks Width (B) ความกว้างงายก	mm	572/692	
Fork Length (A) ความยาวงายก	mm	1150/1220	
Overall Length (A1) ความยาวทั้งหมด	mm	1580/1650	
Min. Fork Height (H1) ความสูงขั้นต่ำงายก	mm	85	76
Max. Fork Height (H2) ความสูงงายก	mm	200	190
Steering Wheel (D) ล้อบังคับเลี้ยว	mm	Ø180 (x 50W)	Ø180 (x 50W)
Load Wheel ล้อบรรทุกน้ำหนัก	mm	Ø74 x 70W (Tandem)	Ø64 x 70W (Tandem)
<b>Weigh Scale</b>			
Origin แหล่งที่มา		RAVAS (Holland)	
Gradations อัตราการเปลี่ยนแปลง(น้ำหนัก)	kg	1	
Tolerance อัตราความคลาดเคลื่อน(น้ำหนัก)	%	0.1 of Capacity	
Batteries แบตเตอรี่	DC	4X1.5V AA, 2.7 Ah	
Battery Life อายุการใช้งาน(แบตเตอรี่)	hrs	70	

1KG=2.2LB 1INCH=25.4MM



Polyurethane wheels as standard, nylon wheels available unless otherwise specified.  
Single load wheels as standard, except in Thailand, and 3 ton units in Indonesia.  
Specifications subject to change at our discretion.